



H5FG 1500V DC 1800A-3000A

Class of Operation: aR

保护特性: aR



Standard/ 标准: UL 248-13, IEC 60269-4, GB/T 13539.4

INTERRUPTING CAPACITY/ 分断能力:

250,000 A at 1500V DC

TECHNICAL PARAMETERS/ 技术参数:

PART NO. 目录编号	CURRENT RATING 额定电流	SAFETY APPROVALS 安全认证	
		cURus	TUV
H5FG1800	1800A	●	●
H5FG2000	2000A	●	●
H5FG2200	2200A	●	●
H5FG2500	2500A	●	●
H5FG2800	2800A	●	●
H5FG3000	3000A	●	●

● DENOTES FOR APPROVAL

● 表示已取得安全认证

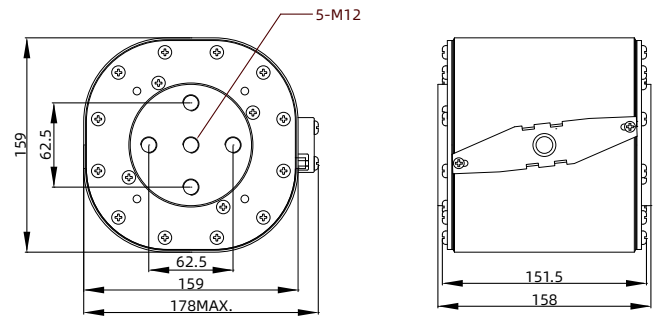
○ DENOTES FOR PENDING

○ 表示正在申请安全认证

Dimensions/ 尺寸:

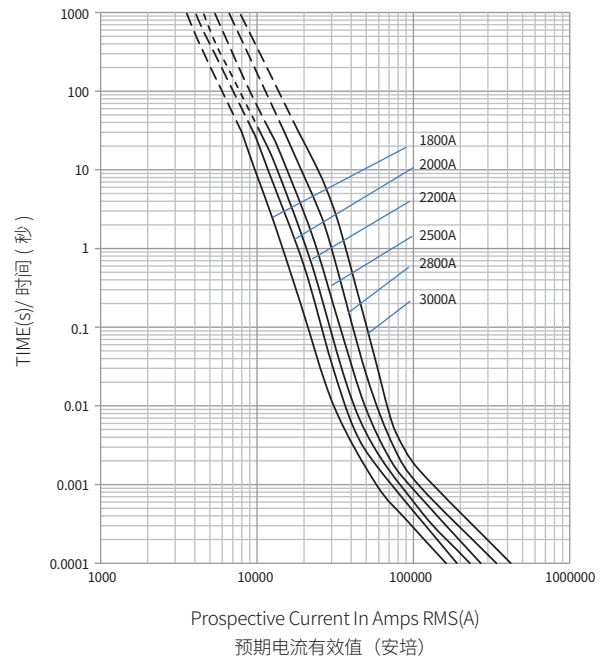
Unit 单位: mm

Type:H5FG Part No.: H5FG(amp rating)



H5FG 平均 I-T 曲线图 (仅供参考)

AVERAGE I-T CHARACTERISTICS CURVE (FOR REFERENCE)



目录编号 Part No.	可选配件 Optional Accessory
	微动开关 Microswitches
H5FG(amp rating)	HMC-01